

DDSY39(LCD) Single-phase Prepayment Static Energy Meter

Summary

DDSY39 (LCD) adopts LSI &SMT industry element and long-duration element of international band. It meets the requirement of GB/T18460.3-2001:The third part of the IC prepayment sale system; prepayment meter. and GB/T17215-2002: Class1 and class2 static communication active meter. This product has functions of prepayment, load threshold control. They have the characteristics of small size, long-life high accuracy, good stability, low power consumption etc.



Technical specification

1. Electric condition

Accuracy class: 1.0;

Accord standard: IEC62053; GB/T17215-2002; GB/T18460.3-2001;

Normal working voltage: 0.9~1.1 reference voltage;

Limit working voltage: 0.8~1.15 reference voltage;

Insulation voltage: $\geq 2000\text{VAC}$;

Power consumption: $\leq 2\text{W}$ and 10VA ;

Power consumption of voltage line: $\leq 1.5\text{W}$ (8VA) ;

Power consumption of current line: $\leq 3\text{VA}$;

Start-up: under the condition of reference voltage, reference frequency and power factor is 1, when load current is 0.4%Ib, (class 1), 0.5%(class 2), energy meter start up and accumulate count.

Shunt running: when adding 115% reference voltage to voltage loop, no current on current loop,

Energy indicator: non-light, no energy pulse output;

Life: 10years.

2. Ambient condition

Normal working temperature: $-25^{\circ}\text{C}\sim+50^{\circ}\text{C}$;

Limit working temperature: $-30^{\circ}\text{C}\sim+70^{\circ}\text{C}$;

Stockpile and transportation temperature: $-45^{\circ}\text{C}\sim+70^{\circ}\text{C}$;

Relative humidity: annual average $\leq 80\%$.

Model

Model	Rated frequency(Hz)	Nominal current(A)	Meter constant(imp/kwh)
DDSY39(220)	50/60	1.5(6) 2.5(10) 5(20) 10(40) 15(60)	On nameplate

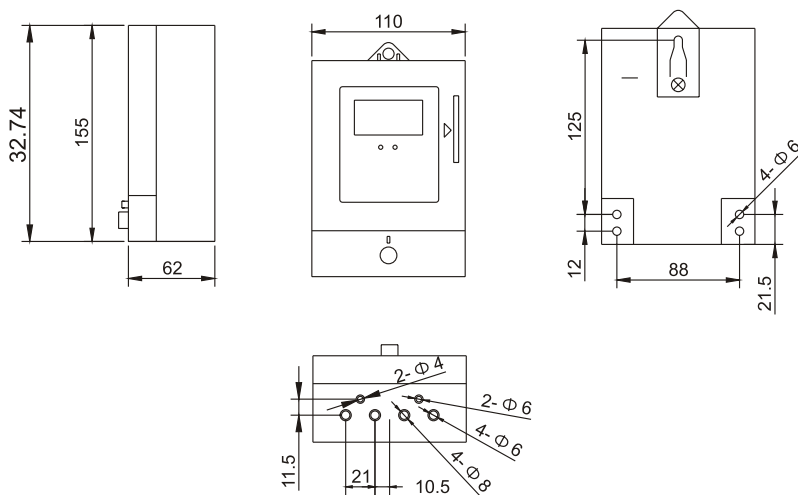
Chinese and English indication options are available for different clients.

Product function

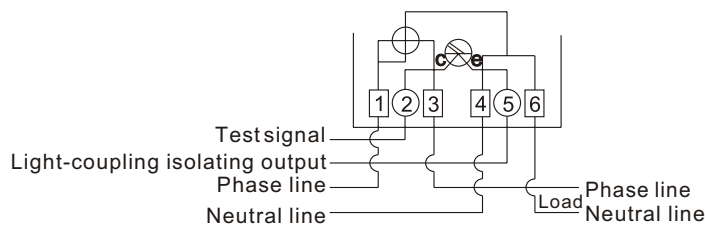
1. Bi-directionally measure function: precisely measure positive, reverse energy, and accumulate energy in one forward way, accumulate energy one time at 0.1 degree. residual energy and accumulating used energy etc. data preserves well at power failure.
2. Fake identification function: when using additional medium, energy meter doesn't accept order, and refuse to operation. electricity prepayment: the meter alarm at low remaining electricity, disconnect itself when the quantity of electricity reaches zero.
3. Transfer-writing function: when inseting user's electricity card, residual electricity and operation condition of energy meter and other information will write in return to IC card for the purpose of power supply system management.
4. Inspection function: accepting enquiry card inspection made by power supply management system and current information will be written back to inspection card for meter condition inspection.

6. Addendum function: user can get a new card when lost original one, the watt-hour meter can accept it and refuse the original purchasing electricity card;
7. Urgent purchasing electricity function: there is a urgent purchasing electricity agreement between user and electricity sales department, the user can insert card to purchase energy power one time by credit when the electrical quantity finished. If want to get purchasing right again, user should purchase more quantity then by credit.
8. Quantity of electricity setting function: according to reset or used watt-hour meter, take advantage of setting card to set quantity of electricity;
9. Price of electricity rewrite function: the watt-hour meter adopt single price, user can rewrite price of electricity to adjust quantity when the price changed in the course of using, to comply with new price.
10. Initialization function: when the user firstly to purchase, the sale system will send archives and relative information to card. The watt-hour meter is initialized and establishes one meter one card relation when user insert to watt-hour meter.
11. Transfer user function: take advantage of transferred card to move data to another one and to bgout the original one, make original meter on rest condition;
12. Reading function: take advantage of reading card collect user number, used quantity, rest quantity to transmit sales management department.
13. LCD display function: the watt-hour meter adopt LCD to display electricity information, working condition, rest quantity, used quantity, relay working condition, purchasing alarm condition, purchasing electricity condition, used quantity and rest quantity display one digit decimal fraction;
14. Monitor using load function: It can cut off power and alarm when exceed to setting value (the alarm value can be set).

Outline dimension



Diag.1 Outline dimension



Diag.2 Wiring diagram