

RCT Current Transformers

Summary

The RCT current transformers are used in 0.66kv and below electricity system for protection and measuring purposes. The RCTs conforms the standards IEC60044-1 & GB1208-2006.

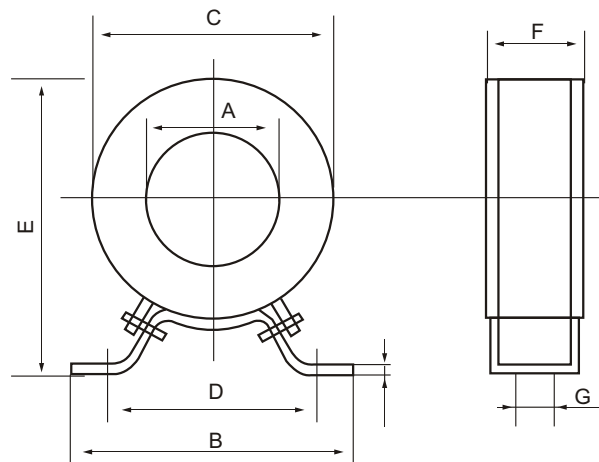


Technical Data

1. Primary current: 5A 50 000A
2. Rated second current: 1A or 5A;
3. Rated security factor: FS < 5.

Model	Rated current (A)	Rated output (VA)	Accuracy class	Rated voltage (V)	Frequency (Hz)
RCT-35	20-5A~300/5A	1.5-5	0.5/1.0	660	50/60
RCT-58	300/5A~1000/5A	5-10	0.5/1.0	660	50/60
RCT-90	600/5A~2000/5A	5-20	0.5/1.0	660	50/60
RCT-110	1200/5A~50000/5A	10-30	0.5/1.0	660	50/60

Outline drawing



Dimension of case (mm)

Type	A	B	C	D	E	F
RCT-35	36	78	95	84	90	53
RCT-58	58	102	93	80	113	57
RCT-90	92	93	138	85	153	45
RCT-110	112	110	165	95	180	45