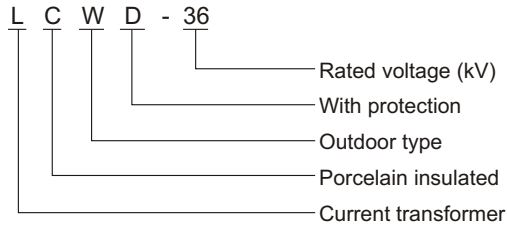


LCWD-36(LABN1-36W2) Current Transformer

Summary

The current transformer of type LCWD-36 is oil insulated and outdoor product. It is used for metering energy, current and relay protection in electric system up to rated frequency 50Hz or 60Hz and rated voltage 36kV.

Model



Structure feature

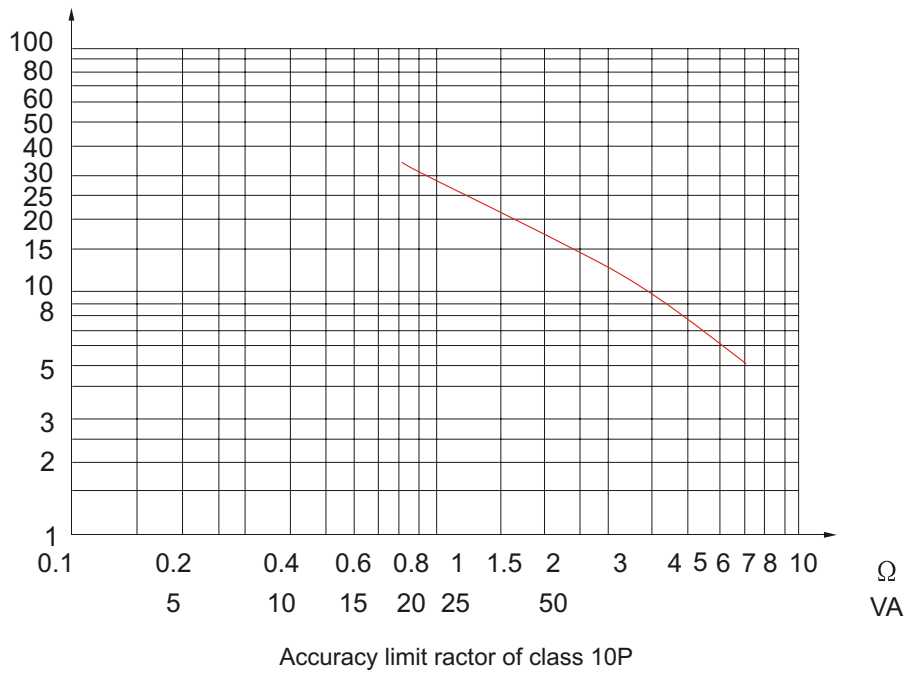
The type of product has compact structure, small volume, lightweight and its body treated by drying vacuum. It is installed in the bushing filled with transformer oil. The bushing's upper half-part is the primary winding and its down half part is the secondary winding. The primary winding's end is led from the two side of the cabinet's wall. It's starting terminal sign P1 is insulated with the wall by some littleporcelain pipes and terminal signed P2 is directly connected with the wall. The front of the oil storage cabinet has some oil-dials showing different temperature and graduation.

Technical specification

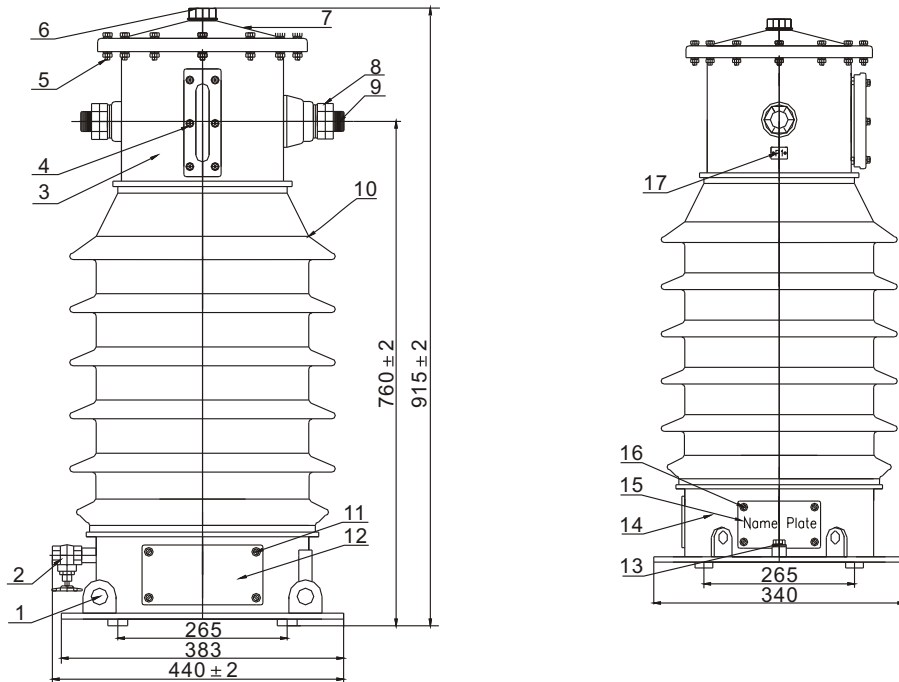
1. Rated insulation level: 40.5/95/185kV;
2. Rated primary current: 5A;
3. Rated primary current, accuracy classes combination, rated output, dynamic and thermal current as following table;
4. Creepage distance of outside insulation: general type ≥ 735 ; W2 type ≥ 1100 .

Note: If users have other special requirements, we may do some relevant adjustment to partial data.

Rated primary current (A)	Accuracy classed combination	Rated output(VA)				Short-time thermal current (kA/s)	(I dyn) Rated dynamic current (kA)
		0.2	0.5	10P15	10P15		
5	0.5/10P15 0.2/10P15 0.2/0.5 0.2/0.2	30	50	50	/	0.375	0.95
10						0.75	1.9
15						1.12	2.9
20						1.5	3.8
30						2.25	5.7
40						3	7.6
50						3.75	9.6
75						5.62	14.5
100						7.5	19.2
200						11.25	28.7
300	0.2/0.5/10P15/10P15	15	20	30	30	15	38.3
400						22.5	57.5
600						30	76.5
800						45	115
1000						45	115
1200						45	115
1500						45	115



Outline dimension



- 1.4-hang ring 2.Oilhole $\phi 8$ 3.Body 4.Indicator 5.12-Nut M8 6.1-M32Oil-fill hole
 7.Cover 8.4-M28 9.2-M28 10.Porcelain Insulator 11.4-M8 12.Secondary Cover
 13.Earthing Signal 14.Base 15.Nameplate 16.4-M8 Bolts 17.Primary Signal P1